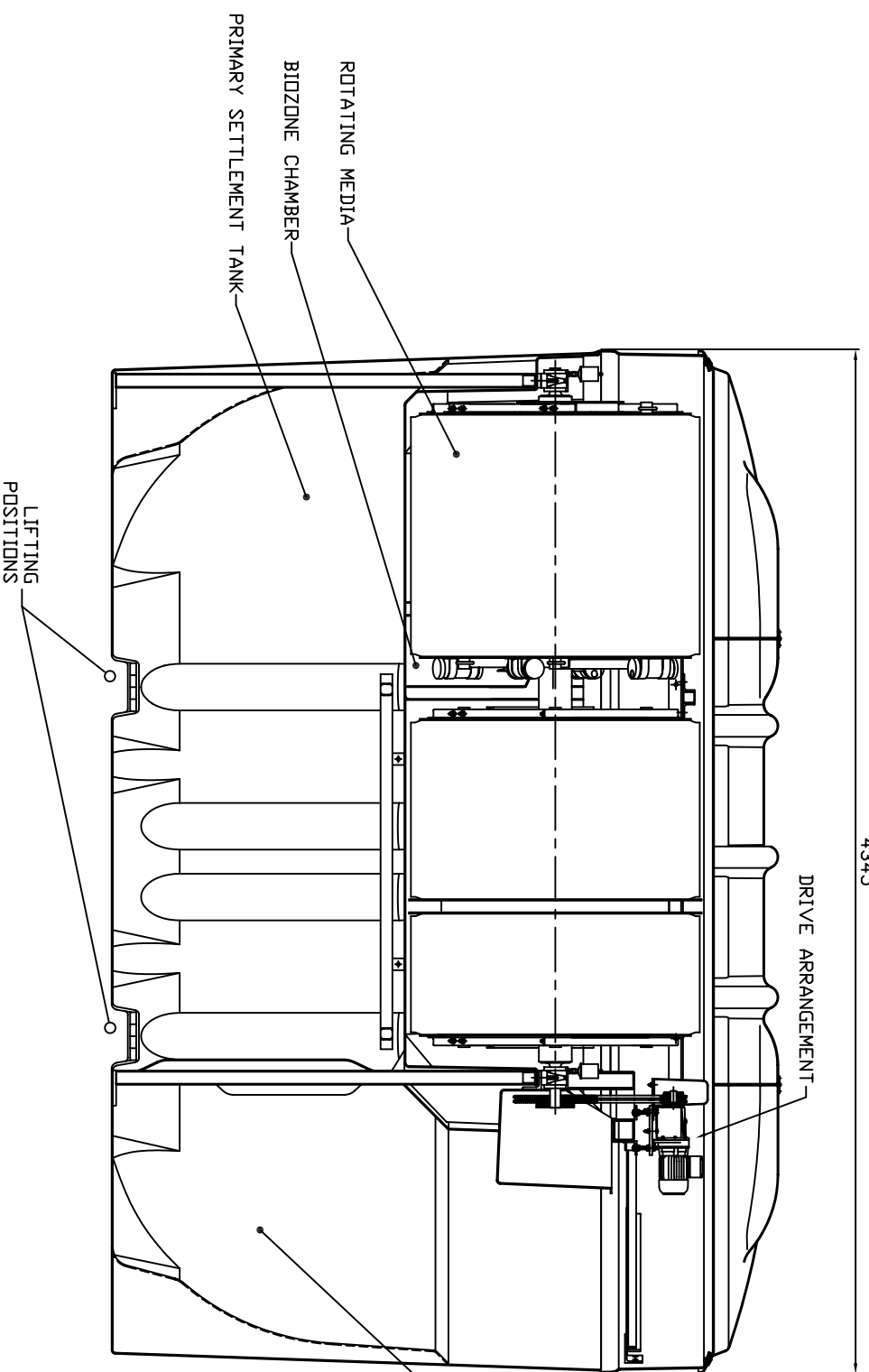
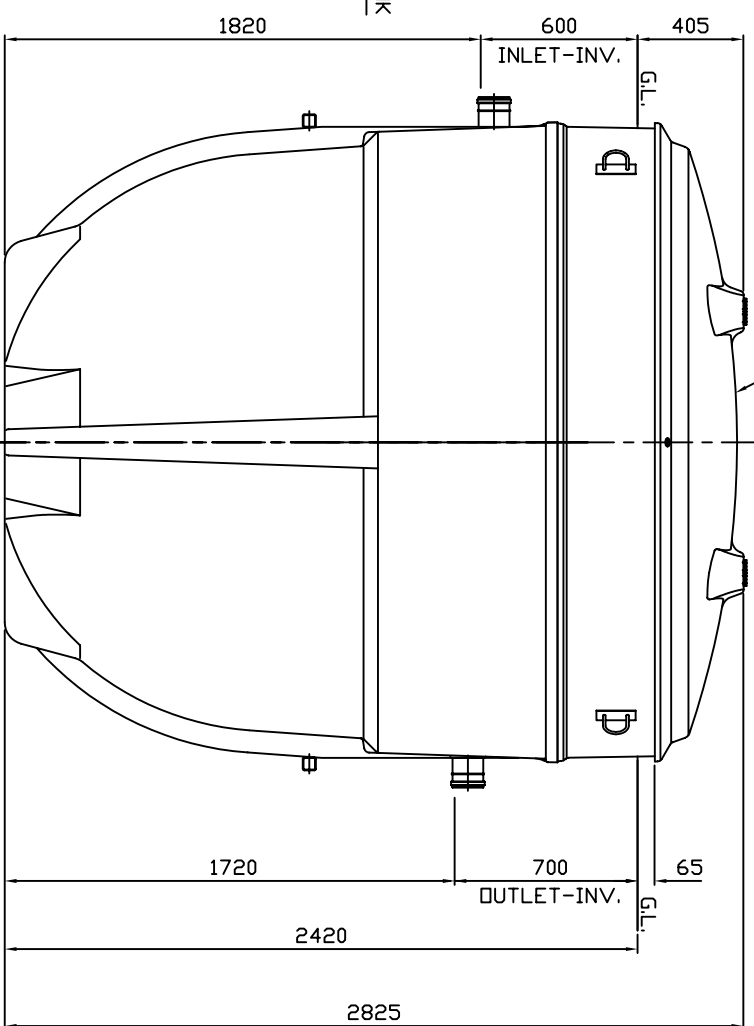


PLAN VIEW WITH TOP COVERS REMOVED



APPROX. DRY WEIGHT 1315 Kg



END ELEVATION

NOTES

1. BIDDISC TANK AND COVER ARE MANUFACTURED IN GLASS REINFORCED POLYESTER (G.R.P.). COVER IS FINISHED IN GREEN TO B.S.4800 TINT 12B/25
2. ELECTRICAL SUPPLY: 240 VOLTS, 2amps, SINGLE PHASE (THREE PHASE OPTIONAL) CONTROL PANEL SUPPLIED.
3. BIDDISC MUST BE LIFTED BY THE LIFTING POSITIONS PROVIDED.
4. FOR INSTALLATION, MAINTENANCE AND DESLUDGE DETAILS REFER TO PROCEDURE DOCUMENTS SUPPLIED WITH UNIT.
5. NF MODEL INCLUDES SLUDGE RETURN PUMP AS STANDARD.

ALL DIMENSIONS ARE IN MILLIMETRES - DO NOT SCALE

NF BIDDISC
GENERAL
DIMENSIONS



ISSUE	DATE	DRAWN	INITIAL ISSUE	MODIFICATION
1	29.11.10	JMCM	INITIAL ISSUE	

This drawing is copyright and may not be reproduced or used without the written permission of Kingspan Environmental. KINGSKAN RESERVE THE RIGHT TO CHANGE SPECIFICATIONS WITHOUT NOTICE

SCALE	1:15	SHEET SIZE	A1
DRAWING No.	DS1132	ISSUE	1